

Multifunction Meters

Transducers & Isolators

Temperature Controllers

Converters & Recorders

Digital Panel Meters

Current Transformers

Analogue Panel Meters

Shunts

Digital Multimeters

Clamp Meters

Insulation Testers

OMEGA XMER (PROTECTION)

SUBJECT TO CHANGE WITHOUT NOTICE

This datasheet superseded all previous versions – please keep for future reference

Omega XMER (Protection)

- # **Applicable standard:** - IEC-61869-1&2 / IEC- 60044 -1, BS 3938, IS 2705 -1,2&3.
- # **Case:** - Unfilled polycarbonate, flame retardant grades classified UL 94V-0.
- # **Connection:** - Two connection on each side. M4 screws with self lifting clamp strap assembly for Xmer series and 1 connection on each side M4 screws with self lifting clamp strap for CT series.
- # **Insulation class:** - E (120°C max)
- # **System voltage:** - 720V maximum
- # **Test voltage:** - For Ring (Window) type CT : 4KV 50 Hz for 1 min (except for 50/30 CT type and 50/50 CT type where test voltage is 3KV 50 Hz for 1 min)

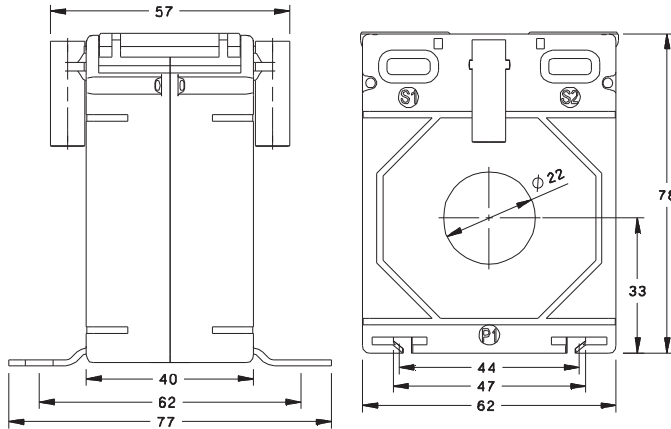
- # **Operating frequency:** - 50Hz / 60 Hz
- # **Rated primary rating:** - 100 A to 6000 A
- # **Rated secondary output:** - 5A standard (1A on request)
- # **Rated burden:** - 1, 1.25, 1.5, 2.5, 3.75, 5, 7.5, 10, 12.5, 15, 20 VA
- # **Class of accuracy:** -5P & 10P
- # **Ambient temperature:** - -25°C to +40°C
- # **Storage temperature:** - -50°C...+80°C
- # **Thermal short circuit current (I_{th}):** - 60xI_n for Bus Bar type CT.
- # **Dynamic short circuit current (I_{dyn}):** - 2.5xI_{th}
- # **Accuracy Limit Factor (ALF):** - 5, 10

Features

- # Wide range of system current Ratings.
- # Hinged terminal cover.
- # Various mounting options like DIN rail mounting, Wall mounting.
- # Terminal with self lifting screw with dual connection facility giving access from both sides of transformers.

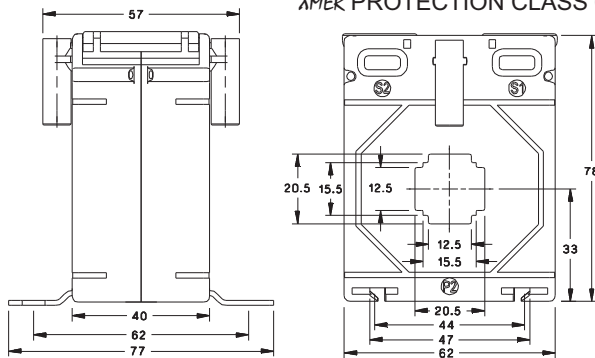
XMER PROTECTION CLASS 62 SERIES

XMER PROTECTION CLASS 62/R



Primary Current	XMER 62/R	
	Accuracy	
	5P5	10P5
100A	-	1VA
125A	1VA	1VA
150A	1VA	1VA
200A	1VA	1VA
250A	1VA	1VA
300A	1VA	1.5VA

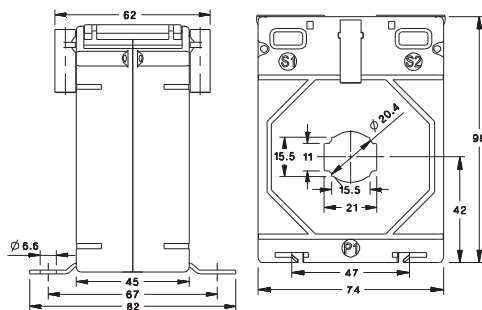
XMER PROTECTION CLASS 62/20 (40)



Primary Current	XMER 62/20 (40)	
	Accuracy	
	5P5	10P5
100A	-	1VA
125A	1VA	1VA
150A	1VA	1VA
200A	1VA	1VA

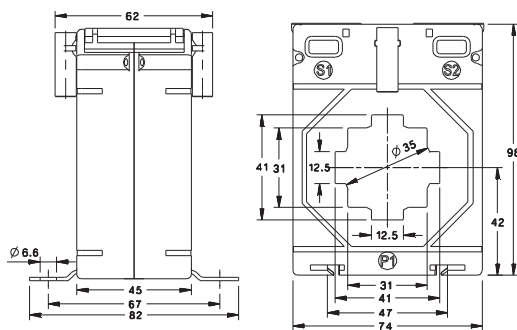
XMER PROTECTION CLASS 74 SERIES

XMER PROTECTION CLASS 74/20 (45)



Primary Current	XMER 74/20 (45)	
	Accuracy	
	5P5	10P5
200A	2.5VA	2.5VA
250A	2.5VA	2.5VA
300A	2.5VA	2.5VA
400A	2.5VA	2.5VA

XMER PROTECTION CLASS 74/40 (45)

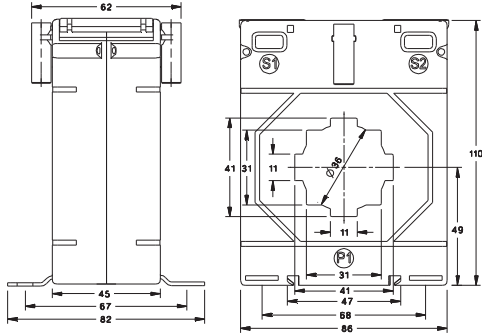


ALL DIMENSIONS ARE IN MM

Primary Current	XMER 74/40 (45)	
	Accuracy	
	5P5	10P5
120A	1VA	1VA
125A	1VA	1VA
150A	1VA	1.5VA
200A	1.5VA	1.5VA
250A	1.5VA	1.5VA
300A	1.5VA	1.5VA
400A	1.5VA	1.5VA
500A	1.5VA	1.5VA
600A	1.5VA	1.5VA
750A	1.5VA	2.5VA

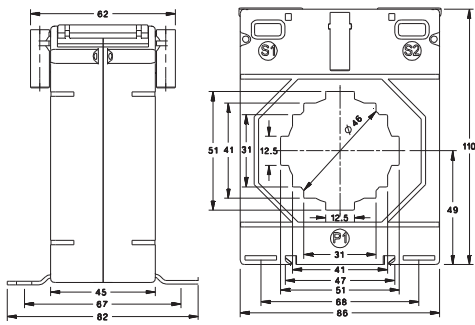
XMER PROTECTION CLASS 86 SERIES

XMER PROTECTION CLASS 86/40



Primary Current	XMER 86/40 (45)			
	Accuracy			
	5P5	10P5	5P10	10P10
100A	1.5VA	1.5VA	-	-
120A	1.5VA	1.5VA	-	-
125A	1.5VA	2.5VA	-	-
150A	2.5VA	2.5VA	-	-
200A	2.5VA	2.5VA	-	-
250A	2.5VA	2.5VA	-	-
300A	3.75VA	3.75VA	1VA	1VA
400A	5VA	5VA	1.25VA	1.25VA
500A	5VA	6.25VA	1.5VA	1.5VA
600A	6.25VA	7.5VA	1.5VA	1.5VA

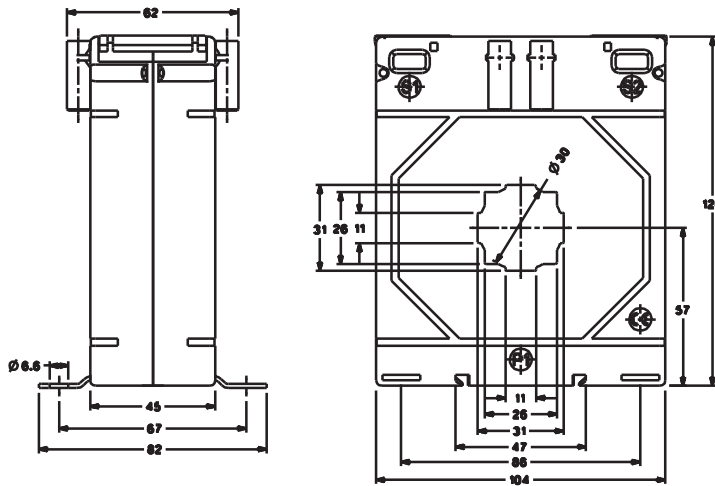
XMER PROTECTION CLASS 86/50



Primary Current	XMER 86/50 (45)			
	Accuracy			
	5P5	10P5	5P10	10P10
100A	1.5VA	1.5VA	-	-
150A	1.75VA	1.75VA	-	-
200A	2.5VA	2.5VA	-	-
250A	3.75VA	3.75VA	-	-
300A	3.75VA	3.75VA	1VA	1VA
400A	5VA	5VA	1VA	1VA
500A	5VA	5VA	1VA	1VA
600A	5VA	5VA	1VA	1VA
750A	7.5VA	7.5VA	1.5VA	1.5VA
800A	7.5VA	7.5VA	1.5VA	1.5VA

XMER PROTECTION CLASS 104 SERIES

XMER PROTECTION CLASS 104/30 (45)

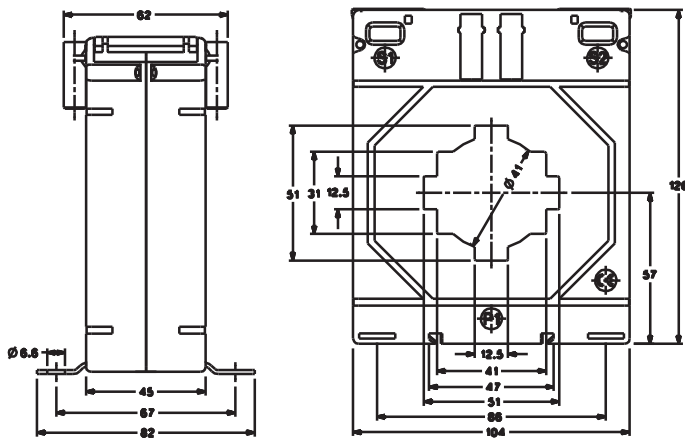


Primary Current	XMER 104/30 (45)			
	Accuracy			
	5P5	10P5	5P10	10P10
50A	2.5VA	2.5VA	-	-
60A	2.5VA	2.5VA	-	1.5VA
75A	2.5VA	2.5VA	-	1.5VA
80A	2.5VA	2.5VA	1.5VA	1.5VA
100A	5VA	5VA	1.5VA	2.5VA
125A	5VA	5VA	1.5VA	2.5VA
150A	7.5VA	7.5VA	2.5VA	2.5VA
200A	10VA	10VA	3.75VA	3.75VA
250A	10VA	10VA	5VA	5VA
300A	10VA	10VA	5VA	5VA
400A	15VA	15VA	5VA	5VA
500A	15VA	15VA	7.5VA	7.5VA
600A	15VA	15VA	7.5VA	10VA

ALL DIMENSIONS ARE IN MM

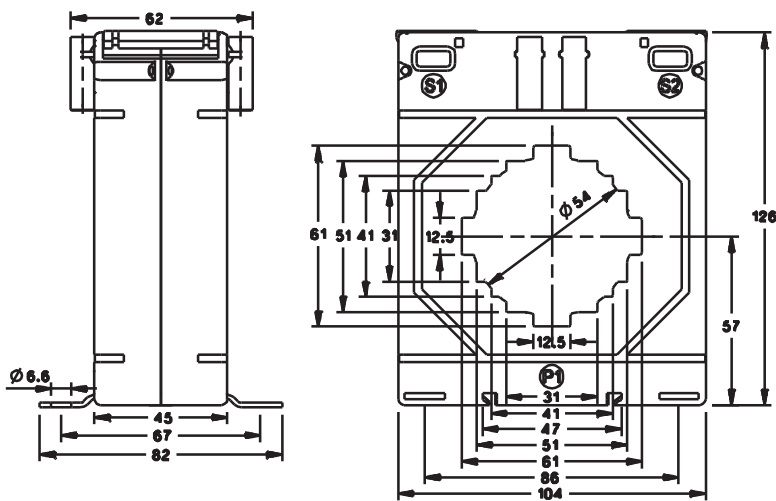
XMER PROTECTION CLASS 104 SERIES

XMER PROTECTION CLASS 104/50 (45)



Primary Current	XMER 104/50 (45)			
	Accuracy			
	5P5	10P5	5P10	10P10
150A	2.5VA	2.5VA	-	-
200A	5VA	5VA	1.5VA	1.5VA
250A	5VA	7.5VA	2.5VA	2.5VA
300A	7.5VA	7.5VA	2.5VA	2.5VA
400A	7.5VA	7.5VA	2.5VA	2.5VA
500A	10VA	10VA	2.5VA	2.5VA
600A	10VA	10VA	2.5VA	2.5VA
750A	10VA	10VA	5VA	5VA
800A	10VA	10VA	5VA	5VA
1000A	10VA	10VA	5VA	5VA

XMER PROTECTION CLASS 104/60 (45)

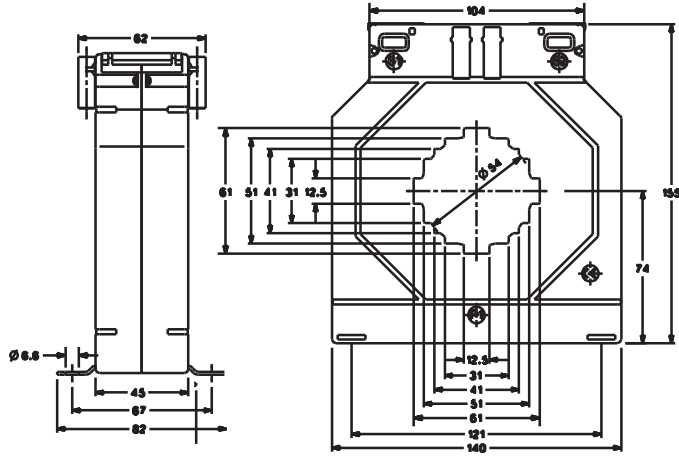


Primary Current	XMER 104/60 (45)			
	Accuracy			
	5P5	10P5	5P10	10P10
100A	1.5VA	1.5VA	-	-
150A	2.5VA	2.5VA	1VA	1VA
200A	3.75VA	3.75VA	1VA	1VA
250A	5VA	5VA	1.5VA	1.5VA
300A	5VA	5VA	1.75VA	1.75VA
400A	7.5VA	7.5VA	1.75VA	1.75VA
500A	7.5VA	7.5VA	1.75 VA	1.75VA
600A	7.5VA	7.5VA	1.75VA	1.75VA
750A	10VA	10VA	1.75 VA	1.75 VA
800A	10VA	10VA	1.75 VA	1.75 VA

ALL DIMENSIONS ARE IN MM

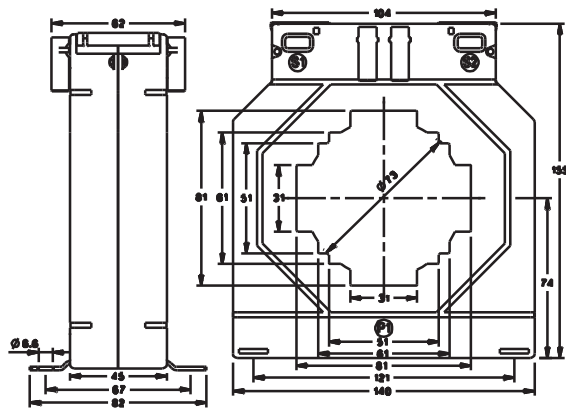
XMER PROTECTION CLASS 140 SERIES

XMER PROTECTION CLASS 140/60 (45)



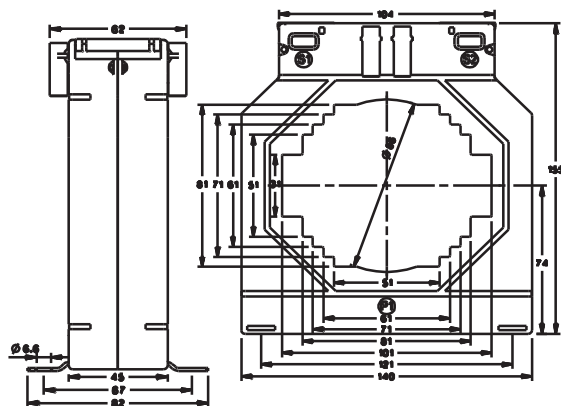
Primary Current	XMER 140/60 (45)			
	Accuracy			
	5P5	10P5	5P10	10P10
200A	7.5VA	7.5VA	2.5VA	2.5VA
250A	7.5VA	7.5VA	2.5VA	2.5VA
300A	10VA	10VA	3.75VA	3.75VA
400A	10VA	10VA	5VA	5VA
500A	10VA	10VA	5VA	5VA
600A	12.5VA	12.5VA	5VA	5VA
750A	12.5VA	12.5VA	5VA	5VA
800A	12.5VA	12.5VA	5VA	5VA
1000A	12.5VA	12.5VA	7.5VA	7.5VA
1200A	12.5VA	12.5VA	7.5VA	7.5VA
1250A	12.5VA	12.5VA	7.5VA	7.5VA
1500A	15VA	15VA	10VA	10VA
1600A	15VA	15VA	10VA	10VA
2000A	20VA	20VA	12.5VA	12.5VA

XMER PROTECTION CLASS 140/80 (45)



Primary Current	XMER 140/80 (45)			
	Accuracy			
	5P5	10P5	5P10	10P10
200A	5VA	5VA	2.5VA	2.5VA
250A	5VA	5VA	2.5VA	2.5VA
300A	7.5VA	7.5VA	3.75VA	3.75VA
400A	10VA	10VA	5VA	5VA
500A	10VA	10VA	5VA	5VA
600A	10VA	10VA	5VA	5VA
750A	10VA	10VA	5VA	5VA
800A	10VA	10VA	5VA	5VA
1000A	10VA	10VA	5VA	5VA
1200A	10VA	10VA	5VA	5VA
1250A	10VA	10VA	5VA	5VA
1500A	15VA	15VA	7.5VA	7.5VA
1600A	15VA	15VA	7.5VA	7.5VA
2000A	20VA	20VA	10VA	10VA
2500A	20VA	20VA	10VA	10VA

XMER PROTECTION CLASS 140/100 (45)

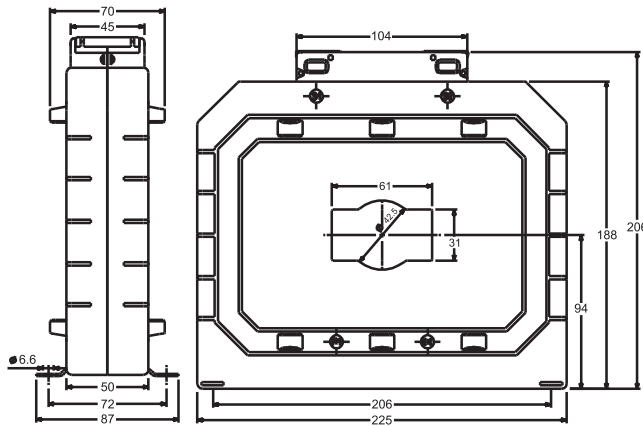


ALL DIMENSIONS ARE IN MM

Primary Current	XMER 140/100 (45)			
	Accuracy			
	5P5	10P5	5P10	10P10
250A	2.5VA	2.5VA	-	-
300A	2.5VA	2.5VA	-	-
400A	3.75VA	3.75VA	-	-
500A	5VA	5VA	-	-
600A	5VA	5VA	1VA	1VA
750A	7.5VA	7.5VA	1VA	1VA
800A	7.5VA	7.5VA	1VA	1VA
1000A	10VA	10VA	1VA	1VA
1200A	10VA	10VA	1VA	1VA
1250A	10VA	10VA	1VA	1VA
1500A	10VA	10VA	1.25VA	1.25VA
1600A	10VA	10VA	1.25VA	1.25VA
2000A	10VA	10VA	1.25VA	1.25VA
2500A	10VA	10VA	1.25VA	1.25VA
3000A	10VA	10VA	1.25VA	1.25VA

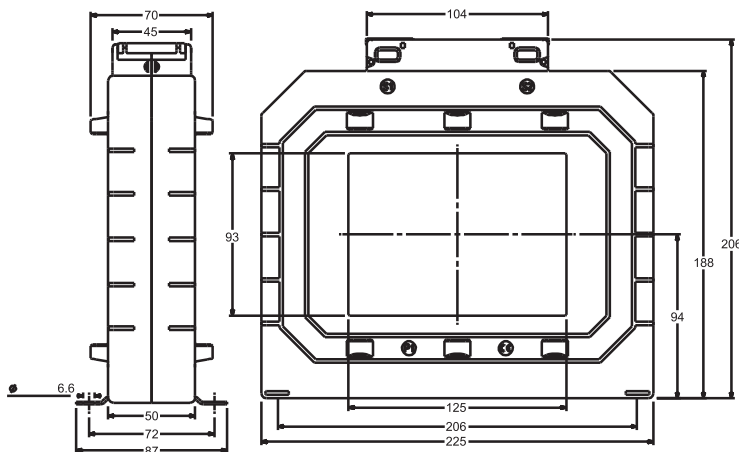
XMER PROTECTION CLASS 225 SERIES

XMER PROTECTION CLASS 255/60 (50)



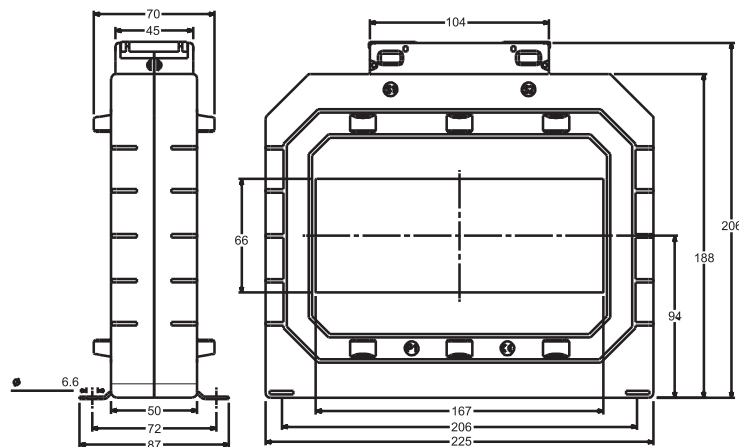
Primary Current	XMER 225/60 (50)			
	Accuracy			
	5P5	10P5	5P10	10P10
100A	10VA	10VA	-	-
150A	10VA	15VA	5VA	-
200A	10VA	15VA	7.5VA	10VA
250A	15VA	15VA	10VA	15VA
300A	15VA	15VA	10VA	15VA
400A	15VA	15VA	15VA	15VA
500A	15VA	15VA	15VA	15VA
600A	15VA	15VA	15VA	15VA
750A	15VA	15VA	15VA	15VA
800A	15VA	15VA	15VA	15VA
1000A	15VA	15VA	15VA	15VA
1200A	15VA	15VA	15VA	15VA
1250A	15VA	15VA	15VA	15VA
1500A	15VA	15VA	15VA	15VA
2000A	15VA	15VA	15VA	15VA

XMER PROTECTION CLASS 225/125 (50)



Primary Current	XMER 225/125 (50)			
	Accuracy			
	5P5	10P5	5P10	10P10
600A	5VA	5VA	-	-
750A	5VA	10VA	-	-
1000A	10VA	10VA	-	-
1200A	10VA	15VA	1.5VA	2.5VA
1250A	10VA	15VA	1.5VA	2.5VA
1500A	15VA	15VA	2.5VA	2.5VA
1600A	15VA	15VA	2.5VA	2.5VA
2000A	15VA	15VA	3.75VA	5VA
2500A	15VA	15VA	5VA	7.5VA
3000A	15VA	20VA	5VA	7.5VA
4000A	15VA	20VA	5VA	7.5VA
5000A	20VA	20VA	5VA	10VA

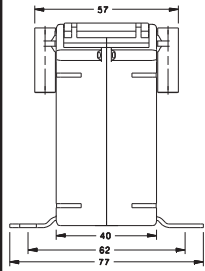
XMER PROTECTION CLASS 225/167 (50)



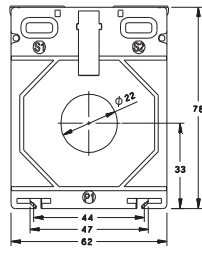
Primary Current	XMER 225/167 (50)			
	Accuracy			
	5P5	10P5	5P10	10P10
1000A	5VA	5VA	-	-
1200A	5VA	7.5VA	1.5VA	2.5VA
1250A	5VA	7.5VA	1.5VA	2.5VA
1500A	5VA	7.5VA	2.5VA	3.75VA
1600A	5VA	7.5VA	2.5VA	3.75VA
2000A	7.5VA	12.5VA	3.75VA	5VA
2500A	10VA	15VA	3.75VA	7.5VA
3000A	15VA	20VA	7.5VA	10VA
4000A	20VA	20VA	7.5VA	12.5VA
5000A	20VA	20VA	7.5VA	12.5VA
6000A	20VA	20VA	7.5VA	12.5VA

ALL DIMENSIONS ARE IN MM

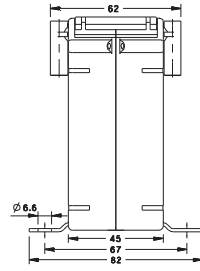
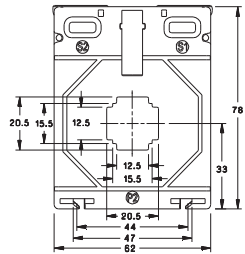
XMER PROTECTION SERIES CURRENT TRANSFORMER RANGES



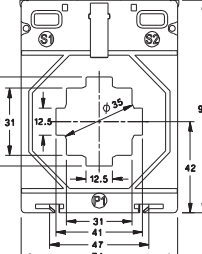
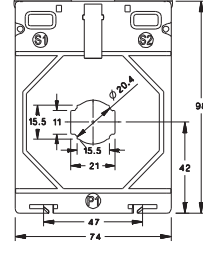
XMER 62/R



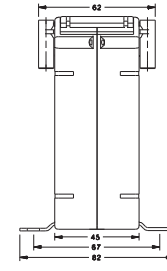
XMER 62/20(40)



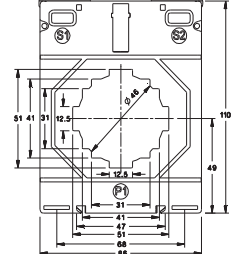
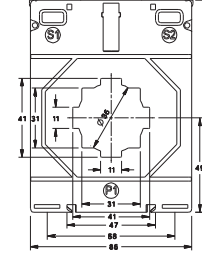
XMER 74/20(45)



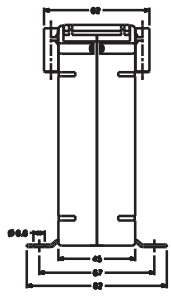
XMER 74/40(45)



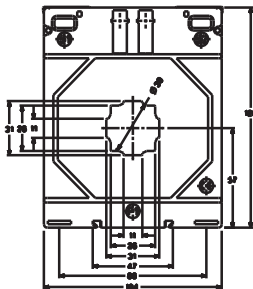
XMER 86/40(45)



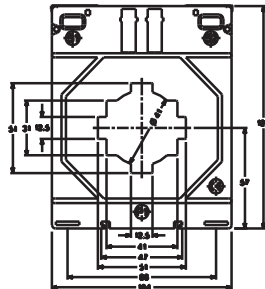
XMER 86/50(45)



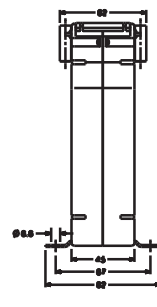
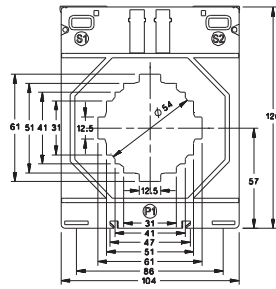
XMER 104/30(45)



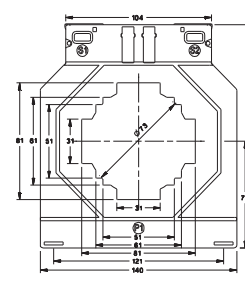
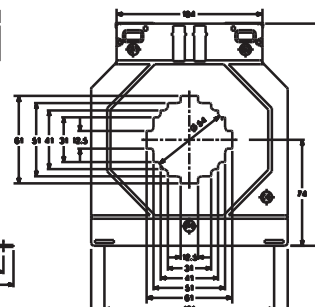
XMER 104/50(45)



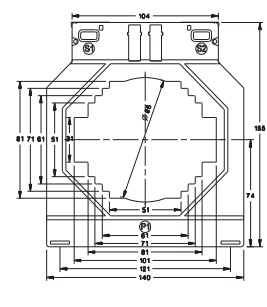
XMER 104/60(45)



XMER 140/60(45)



XMER 140/80(45)



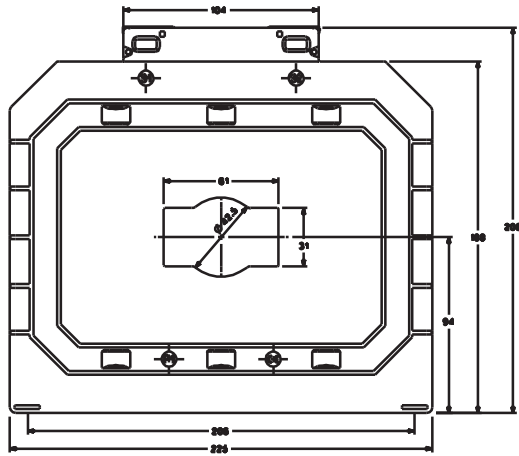
XMER 140/100(45)

XMER PROTECTION SERIES CURRENT TRANSFORMER RANGES

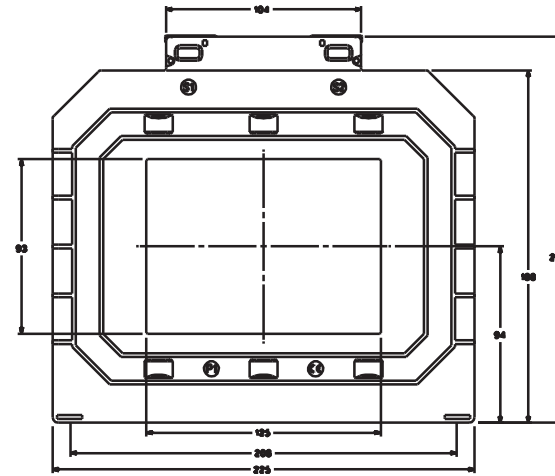
Primary Current	XMER 62/R		XMER 62/20 (40)		XMER 74/20 (45)		XMER 74/40 (45)		XMER 86/40 (45)				XMER 86/50 (45)			
	Accuracy		Accuracy		Accuracy		Accuracy		Accuracy				Accuracy			
	5P5	10P5	5P5	10P5	5P5	10P5	5P5	10P5	5P5	10P5	5P10	10P10	5P5	10P5	5P10	10P10
100A	-	1.0VA	-	1.0VA	-	-	-	-	1.5VA	1.5VA	-	-	1.5VA	1.5VA	-	-
120A	-	-	-	-	-	-	1VA	1VA	1.5VA	1.5VA	-	-	-	-	-	-
125A	1.0VA	1.0VA	1.0VA	1.0VA	-	-	1VA	1VA	1.5VA	2.5VA	-	-	-	-	-	-
150A	1.0VA	1.0VA	1.0VA	1.0VA	-	-	1VA	1.5VA	2.5VA	2.5VA	-	-	1.75VA	1.75VA	-	-
200A	1.0VA	1.0VA	1.0VA	1.0VA	2.5VA	2.5VA	1.5VA	1.5VA	2.5VA	2.5VA	-	-	2.5VA	2.5VA	-	-
250A	1.0VA	1.0VA	-	-	2.5VA	2.5VA	1.5VA	2.5VA	2.5VA	2.5VA	-	-	3.75VA	3.75VA	-	-
300A	1.0VA	1.5VA	-	-	2.5VA	2.5VA	2.5VA	2.5VA	3.75VA	3.75VA	1VA	1VA	3.75VA	3.75VA	1VA	1VA
400A	-	-	-	-	2.5VA	2.5VA	2.5VA	2.5VA	5VA	5VA	1.25A	1.25VA	5VA	5VA	1VA	1VA
500A	-	-	-	-	-	-	1.5VA	1.5VA	6.25VA	6.25VA	1.5VA	1.5VA	5VA	5VA	1VA	1VA
600A	-	-	-	-	-	-	1.5VA	1.5VA	6.25VA	7.5VA	1.5VA	1.5VA	5VA	5VA	1VA	1VA
750A	-	-	-	-	-	-	1.5VA	2.5VA	-	-	-	-	7.5VA	7.5VA	1.5VA	1.5VA
800A	-	-	-	-	-	-	-	-	-	-	-	-	7.5VA	7.5VA	1.5VA	1.5VA
1000A	-	-	-	-	-	-	-	-	-	-	-	-	-	-	-	-

Primary Current	XMER 104/30 (45)				XMER 104/50 (45)				XMER 104/60 (45)				XMER 140/60 (45)				XMER 140/80 (45)				XMER 140/100 (45)			
	Accuracy				Accuracy				Accuracy				Accuracy				Accuracy				Accuracy			
	5P5	10P5	5P10	10P10	5P5	10P5	5P10	10P10	5P5	10P5	5P10	10P10	5P5	10P5	5P10	10P10	5P5	10P5	5P10	10P10	5P5	10P5	5P10	10P10
50A	2.5VA	2.5VA	-	-	-	-	-	-	-	-	-	-	-	-	-	-	-	-	-	-	-	-	-	-
60A	2.5VA	2.5VA	-	1.5VA	-	-	-	-	-	-	-	-	-	-	-	-	-	-	-	-	-	-	-	-
75A	2.5VA	2.5VA	-	1.5VA	-	-	-	-	-	-	-	-	-	-	-	-	-	-	-	-	-	-	-	-
80A	2.5VA	2.5VA	1.5VA	1.5VA	-	-	-	-	-	-	-	-	-	-	-	-	-	-	-	-	-	-	-	-
100A	5VA	5VA	1.5VA	2.5VA	-	-	-	-	1.5VA	1.5VA	-	-	-	-	-	-	-	-	-	-	-	-	-	-
125A	5VA	5VA	1.5VA	2.5VA	-	-	-	-	-	-	-	-	-	-	-	-	-	-	-	-	-	-	-	-
150A	7.5VA	7.5VA	2.5VA	2.5VA	2.5VA	2.5VA	-	-	2.5VA	2.5VA	1VA	1VA	-	-	-	-	-	-	-	-	-	-	-	-
200A	10VA	10VA	3.75VA	3.75VA	5VA	5VA	1.5VA	1.5VA	3.75VA	3.75VA	1VA	1VA	7.5VA	7.5VA	2.5VA	2.5VA	5VA	5VA	2.5VA	2.5VA	-	-	-	-
250A	10VA	10VA	5VA	5VA	5VA	7.5VA	2.5VA	2.5VA	5VA	5VA	1.5VA	1.5VA	7.5VA	7.5VA	2.5VA	2.5VA	5VA	5VA	2.5VA	2.5VA	2.5VA	2.5VA	-	-
300A	10VA	10VA	5VA	5VA	7.5VA	7.5VA	2.5VA	2.5VA	5VA	5VA	1.75VA	1.75VA	10VA	10VA	3.75VA	3.75VA	7.5VA	7.5VA	3.75VA	3.75VA	2.5VA	2.5VA	-	-
400A	15VA	15VA	5VA	5VA	7.5VA	7.5VA	2.5VA	2.5VA	7.5VA	7.5VA	1.75VA	1.75VA	10VA	10VA	5VA	5VA	10VA	10VA	5VA	5VA	3.75VA	3.75VA	-	-
500A	15VA	15VA	7.5VA	7.5VA	10VA	10VA	2.5VA	2.5VA	7.5VA	7.5VA	1.75VA	1.75VA	10VA	10VA	5VA	5VA	10VA	10VA	5VA	5VA	5VA	5VA	-	-
600A	15VA	15VA	7.5VA	10VA	10VA	10VA	2.5VA	2.5VA	7.5VA	7.5VA	1.75VA	1.75VA	12.5VA	12.5VA	5VA	5VA	10VA	10VA	5VA	5VA	5VA	5VA	1VA	1VA
750A	-	-	-	-	10VA	10VA	5VA	5VA	10VA	10VA	1.75VA	1.75VA	12.5VA	12.5VA	5VA	5VA	10VA	10VA	5VA	5VA	7.5VA	7.5VA	1VA	1VA
800A	-	-	-	-	10VA	10VA	5VA	5VA	10VA	10VA	1.75VA	1.75VA	12.5VA	12.5VA	5VA	5VA	10VA	10VA	5VA	5VA	7.5VA	7.5VA	1VA	1VA
1000A	-	-	-	-	10VA	10VA	5VA	5VA	-	-	-	-	12.5VA	12.5VA	7.5VA	7.5VA	10VA	10VA	5VA	5VA	10VA	10VA	1VA	1VA
1200A	-	-	-	-	-	-	-	-	-	-	-	-	12.5VA	12.5VA	7.5VA	7.5VA	10VA	10VA	5VA	5VA	10VA	10VA	1VA	1VA
1250A	-	-	-	-	-	-	-	-	-	-	-	-	12.5VA	12.5VA	7.5VA	7.5VA	10VA	10VA	5VA	5VA	10VA	10VA	1VA	1VA
1500A	-	-	-	-	-	-	-	-	-	-	-	-	15VA	15VA	10VA	10VA	15VA	15VA	7.5VA	7.5VA	10VA	10VA	1.25VA	1.25VA
1600A	-	-	-	-	-	-	-	-	-	-	-	-	15VA	15VA	10VA	10VA	15VA	15VA	7.5VA	7.5VA	10VA	10VA	1.25VA	1.25VA
2000A	-	-	-	-	-	-	-	-	-	-	-	-	20VA	20VA	12.5VA	12.5VA	20VA	20VA	10VA	10VA	10VA	10VA	1.25VA	1.25VA
2500A	-	-	-	-	-	-	-	-	-	-	-	-	-	-	-	-	20VA	20VA	10VA	10VA	10VA	10VA	1.25VA	1.25VA
3000A	-	-	-	-	-	-	-	-	-	-	-	-	-	-	-	-	-	-	-	-	10VA	10VA	1.25VA	1.25VA

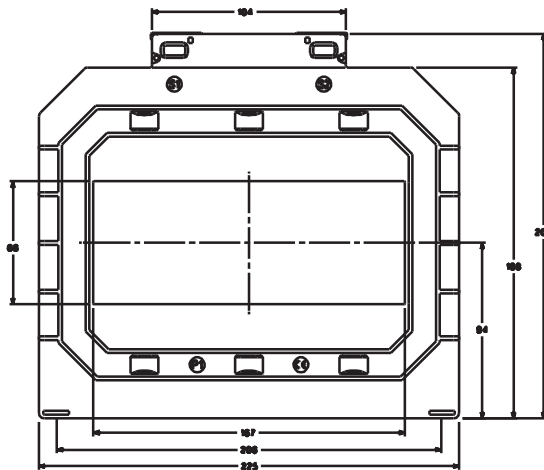
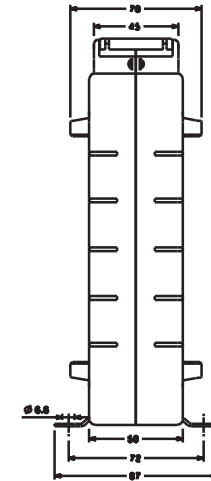
XMER PROTECTION SERIES CURRENT TRANSFORMER RANGES



XMER 225/60 (50)



XMER 225/125 (50)



XMER 225/167 (50)

Primary Current	XMER 225/60 (50)				XMER 225/125 (50)				XMER 225/167 (50)			
	Accuracy				Accuracy				Accuracy			
	5P5	10P5	5P10	10P10	5P5	10P5	5P10	10P10	5P5	10P5	5P10	10P10
100A	10VA	10VA	-	-	-	-	-	-	-	-	-	-
150A	10VA	15VA	5VA	-	-	-	-	-	-	-	-	-
200A	10VA	15VA	7.5VA	10VA	-	-	-	-	-	-	-	-
250A	15VA	15VA	10VA	15VA	-	-	-	-	-	-	-	-
300A	15VA	15VA	10VA	15VA	-	-	-	-	-	-	-	-
400A	15VA	15VA	15VA	15VA	-	-	-	-	-	-	-	-
500A	15VA	15VA	15VA	15VA	-	-	-	-	-	-	-	-
600A	15VA	15VA	15VA	15VA	5VA	5VA	-	-	-	-	-	-
750A	15VA	15VA	15VA	15VA	5VA	10VA	-	-	-	-	-	-
800A	15VA	15VA	15VA	15VA	-	-	-	-	-	-	-	-
1000A	15VA	15VA	15VA	15VA	10VA	10VA	-	-	5VA	5VA	-	-
1200A	15VA	15VA	15VA	15VA	10VA	15VA	1.5VA	2.5VA	5VA	7.5VA	1.5VA	2.5VA
1250A	15VA	15VA	15VA	15VA	10VA	15VA	1.5VA	2.5VA	5VA	7.5VA	1.5VA	2.5VA
1500A	15VA	15VA	15VA	15VA	15VA	15VA	2.5VA	2.5VA	5VA	7.5VA	2.5VA	3.75VA
1600A	-	-	-	-	15VA	15VA	2.5VA	2.5VA	5VA	7.5VA	2.5VA	3.75VA
2000A	15VA	15VA	15VA	15VA	15VA	15VA	3.75VA	5VA	7.5VA	12.5VA	3.75VA	5VA
2500A	-	-	-	-	15VA	15VA	5VA	7.5VA	10VA	15VA	3.75VA	7.5VA
3000A	-	-	-	-	15VA	20VA	5VA	7.5VA	15VA	20VA	7.5VA	10VA
4000A	-	-	-	-	15VA	20VA	5VA	7.5VA	20VA	20VA	7.5VA	12.5VA
5000A	-	-	-	-	20VA	20VA	5VA	10VA	20VA	20VA	7.5VA	12.5VA
6000A	-	-	-	-	-	-	-	-	20VA	20VA	7.5VA	12.5VA

Contact

Sifam Tinsley Instrumentation Inc.

3105, Creekside Village Drive,
Suite No 801, Kennesaw, GA
30144, USA

Tel: 404 736 4903
Email: info@sifamtinsley.com

www.sifamtinsley.com